

Ceiling Concealed C Series



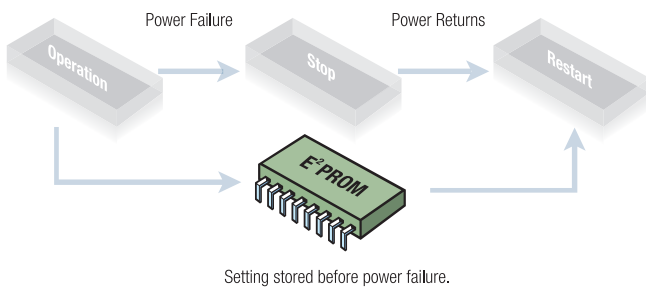
FDMRN25/35/50/60/71/100/125/140CXV1
FDMQN25/35/50/60/71/100/125/140CXV1

Excellent Air Distribution

The conditioned air can be distributed evenly to every corner of the room through ducting. This helps to create a pleasant environment and maintain comfort. Furthermore, multiple area can be conditioned simultaneously by using just one indoor unit.

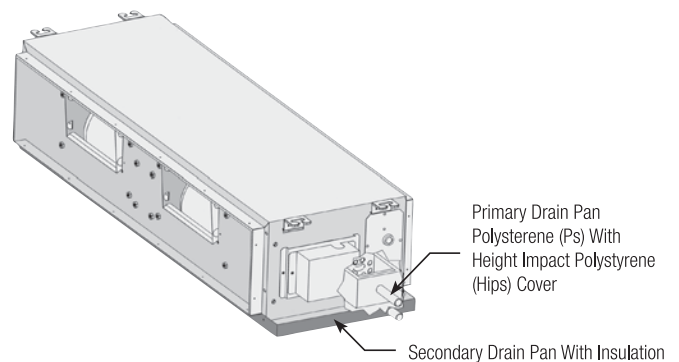
Auto Random Restart with Last-State-Memory

In the event of a sudden power failure during operation, unit restarts automatically in 64 different recovery timing patterns (within 180 seconds to 244 seconds) and the unit will operate based on the previous setting (operating mode, temperature setting and fan speed). This ensures that air conditioners in the same building resume randomly instead of all units resuming at the same time, preventing power surge after a blackout.



Double Protection Drainage System

The primary drain pan is designed with high thermal insulation material and moulded in gradient for better condensate water drainage. The extra secondary drain pan "built in" to the standard unit offers extra protection against possible water leaking problems.



Flexibility In System Design

The unit offers fan motor that can operate up to 4 speeds, thus provide choices of external static pressure for designing ducting system.

Self Diagnosis Features

The microprocessor provides the possibility to detect and to diagnose any faults that occurs in the system. Faults are displayed as error code in the wired controller. This will ease the troubleshooting process.

Ceiling Concealed C Series



* Optional ** For RQ90/100DXV1, RQ90/100/125/140DX1



FDMQN25/35/50/60/71/100/125/140CXV1



RYN25/35CXV1



RYN50/60CXV1
RYN50/60CXY1
RQ71CXV1
RQ71CXY1



RQ90/100DXV1
RQ90/100/125/140DX1

- › Excellent Air Distribution
- › Auto Random Restart with Last-State-Memory
- › Double Protection Drainage System
- › Flexibility In System Design
- › Self Diagnosis Features
- › Wired handset BRC51A61 (H/P) is supplied as standard

Specification for Ceiling Concealed, Standard Static - Cooling and Heating

Indoor Model Name		FDMQN25CXV1	FDMQN35CXV1	FDMQN50CXV1	FDMQN50CXY1	FDMQN60CXV1	FDMQN60CXY1	FDMQN71CXV1	
Outdoor Model Name		RYN25CXV1	RYN35CXV1	RYN50CXV1	RYN50CXY1	RYN60CXV1	RYN60CXY1	RQ71CXV1	
Nominal Cooling Capacity	Btu/h	9500	12500	18000	18000	21000	22860	26000	
	W	2780	3660	5280	5280	6155	6700	7620	
Nominal Heating Capacity	Btu/h	9500	12000	18500	18500	22000	23200	26000	
	W	2780	3520	5420	5420	6450	6800	7620	
Nominal EER	W/W	2.96	2.91	3.13	3.04	3.15	3.03	2.73	
Nominal COP	W/W	3.52	3.18	3.55	3.59	3.39	3.23	3.27	
Indoor	Power Supply	V/Ph/Hz	220-240/1/50	220-240/1/50	220-240/1/50	220-240/1/50	220-240/1/50	220-240/1/50	
	Air Flow	CFM	250/235/210	410/370/250	570/558/480	570/558/480	690/660/535	690/660/535	850/810/770/710
	External Static Pressure	Pa	29/20/10	29/20/10	29/20/10	29/20/10	29/20/10	29/20/10	98/78/68/59
	Sound Pressure Level	dBA	33/30/26	37/34/29	38/36/34	38/36/34	40/39/36	40/39/36	44/41/38/34
	Height	mm	261	261	261	261	261	261	285
	Width	mm	765	905	1065	1065	1200	1200	932
	Depth	mm	411	411	411	411	411	411	600
	Net Weight	kg	18	22	24	24	26	26	40
Outdoor	Power Supply	V/Ph/Hz	220-240/1/50	220-240/1/50	220-240/1/50	380-415/3/50	220-240/1/50	380-415/3/50	220-240/1/50
	Sound Pressure Level	dBA	46	49	52	52	52	52	58
	Height	mm	540	540	651	651	753	753	753
	Width	mm	700	700	855	855	855	855	855
	Depth	mm	250	250	328	328	328	328	328
	Net Weight	kg	28	30	47	47	50	50	57
	Pipe connection - Liquid	mm/in	6.35 / 1/4	6.35 / 1/4	6.35 / 1/4	6.35 / 1/4	6.35 / 1/4	6.35 / 1/4	9.52 / 3/8
	Pipe connection - Gas	mm/in	9.52 / 3/8	12.70 / 1/2	12.7 / 1/2	12.7 / 1/2	15.88 / 5/8	15.88 / 5/8	15.88 / 5/8

Indoor Model Name		FDMQN71CXV1	FDMQN100CXV1	FDMQN100CXY1	FDMQN100CXY1	FDMQN100CXY1	FDMQN125CXV1	FDMQN140CXV1	
Outdoor Model Name		RQ71CXY1	RQ90DXV1	RQ90DXY1	RQ100DXV1	RQ100DXY1	RQ125DXY1	RQ140DXY1	
Nominal Cooling Capacity	Btu/h	27000	32000	33000	39000	39000	45000	55000	
	W	7910	9380	9670	11430	11430	13190	16120	
Nominal Heating Capacity	Btu/h	28000	34000	36000	41000	41000	47000	55000	
	W	8210	9960	10550	12020	12020	13770	16120	
Nominal EER	W/W	2.88	3.07	3.03	2.82	2.82	2.87	3.01	
Nominal COP	W/W	3.43	3.62	3.64	3.25	3.25	3.41	3.41	
Indoor	Power Supply	V/Ph/Hz	220-240/1/50	220-240/1/50	220-240/1/50	220-240/1/50	220-240/1/50	220-240/1/50	
	Air Flow	CFM	850/810/770/710	1280/1160/1050/920	1280/1160/1050/920	1280/1160/1050/920	1280/1160/1050/920	1430/1320/1230/1130	1720/1550/1340/1170
	External Static Pressure	Pa	98/78/68/59	118/96/78/61	118/96/78/61	118/96/78/61	118/96/78/61	147/126/109/92	147/120/90/69
	Sound Pressure Level	dBA	44/41/38/34	52/49/47/45	52/49/47/45	52/49/47/45	52/49/47/45	54/53/52/51	54/52/50/46
	Height	mm	285	315	315	315	315	378	378
	Width	mm	932	1257	1257	1257	1257	1299	1499
	Depth	mm	600	638	638	638	638	541	541
	Net Weight	kg	40	49	49	49	49	50	56
Outdoor	Power Supply	V/Ph/Hz	380-415/3/50	220-240/1/50	380-415/3/50	220-240/1/50	380-415/3/50	380-415/3/50	380-415/3/50
	Sound Pressure Level	dBA	58	58	58	58	58	60	65
	Height	mm	753	852	852	852	852	852	852
	Width	mm	855	1030	1030	1030	1030	1030	1030
	Depth	mm	328	400	400	400	400	400	400
	Net Weight	kg	57	86	86	95	95	98	105
	Pipe connection - Liquid	mm/in	9.52 / 3/8	9.52 / 3/8	9.52 / 3/8	9.52 / 3/8	9.52 / 3/8	9.52 / 3/8	9.52 / 3/8
	Pipe connection - Gas	mm/in	15.88 / 5/8	15.88 / 5/8	15.88 / 5/8	15.88 / 5/8	15.88 / 5/8	15.88 / 5/8	19.05 / 3/4